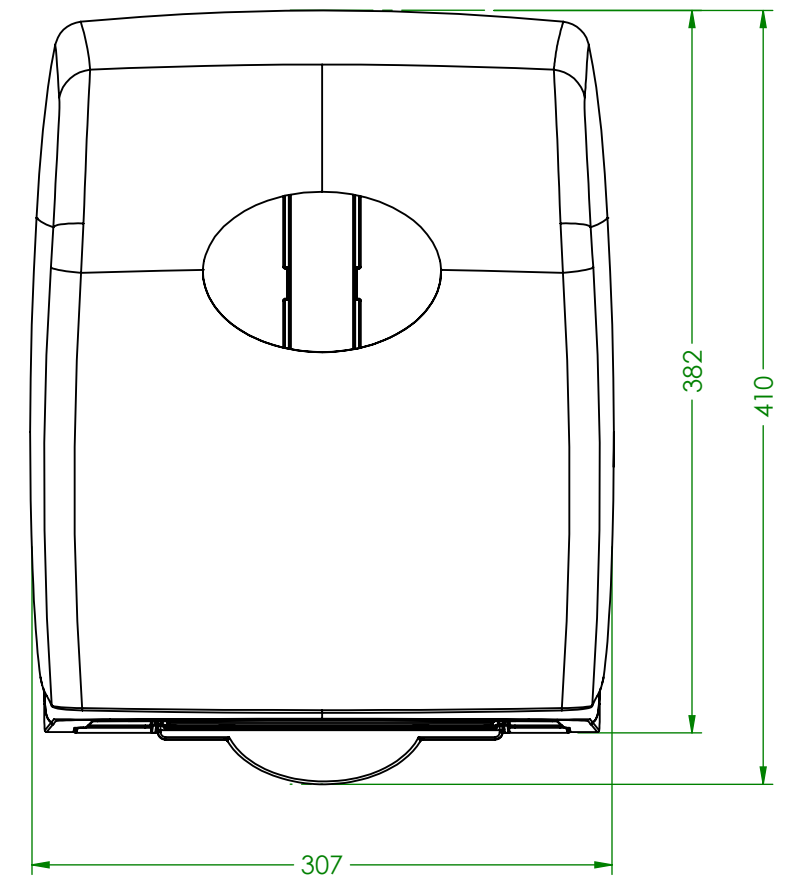
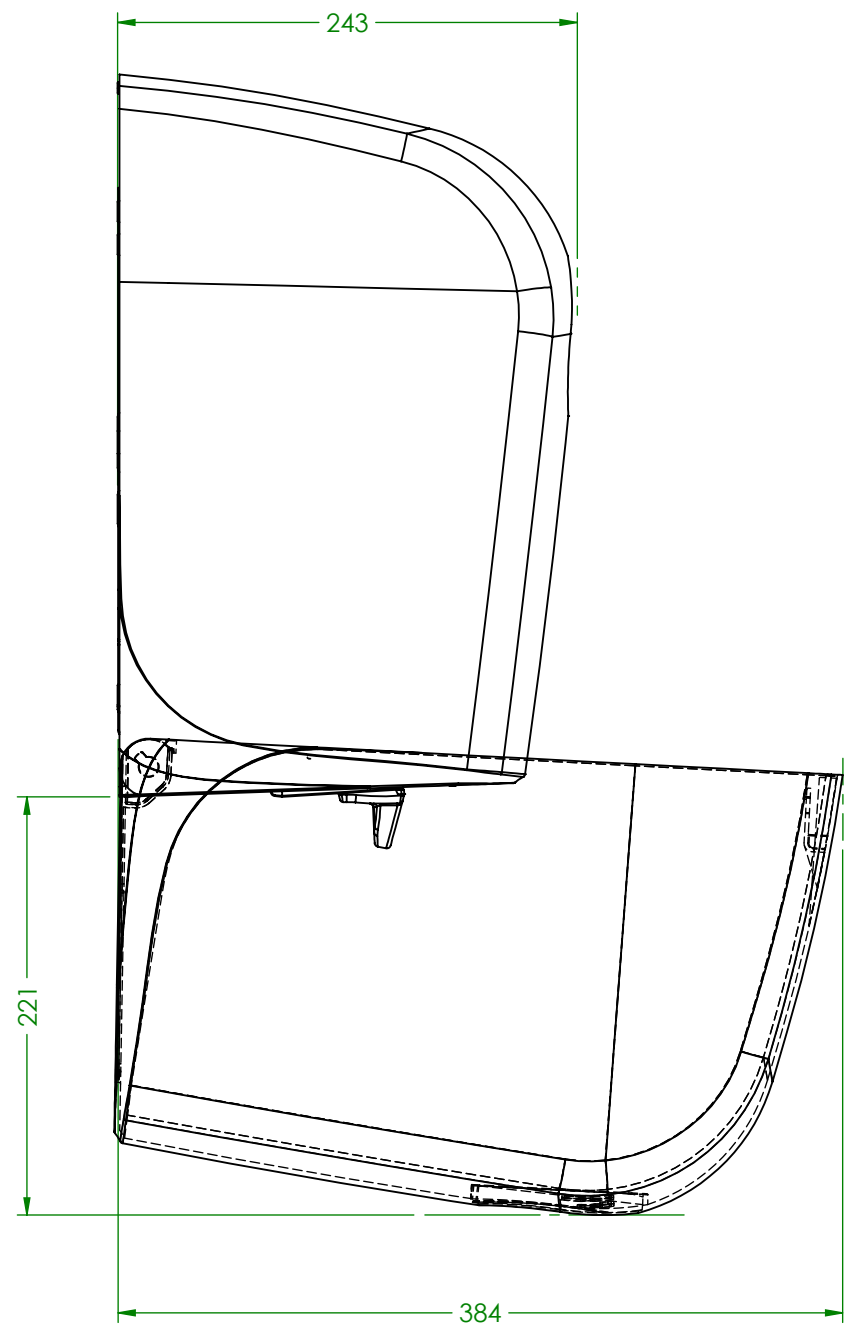
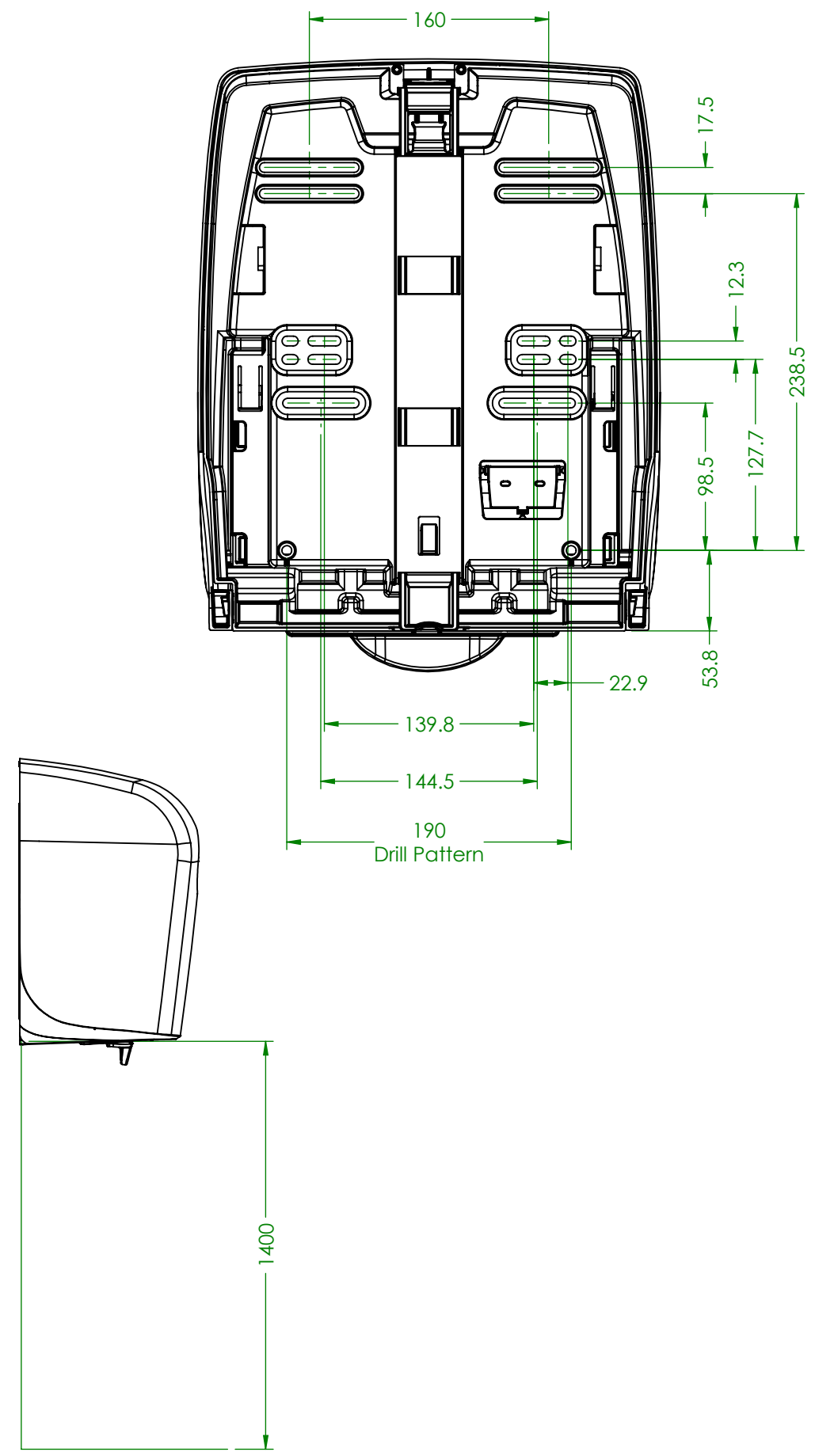


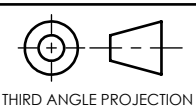
REV	REVISION DESCRIPTION	DATE	ECO No.
-----	----------------------	------	---------



**PROPRIETARY AND CONFIDENTIAL**  
 THE INFORMATION CONTAINED IN THIS DRAWING IS THE SOLE PROPERTY OF DISPENSING DYNAMICS. ANY REPRODUCTION IN PART OR AS A WHOLE WITHOUT THE WRITTEN PERMISSION OF DISPENSING DYNAMICS IS PROHIBITED.

**COMPUTER GENERATED DRAWING - DO NOT UPDATE MANUALLY**  
**DO NOT SCALE DRAWING**

**TOLERANCES**  
 DECIMAL:  
 .XX ±0.010  
 .XXX ±0.005  
 .XXXX ±0.0005  
 ANGULAR:  
 ± 0.5°  
 UNLESS NOTED OTHERWISE



MATERIAL:	
SHRINK:	
FINISH:	
PART WEIGHT:	UNITS: <b>MM</b>
DRAWN:	DATE: <b>2/4/2016</b>
CHECKED:	DATE:
APPROVED:	DATE:

DESCRIPTION: <b>Tardis 8in dispenser</b>		
PART No.	REV	
FILE NAME: <b>Tardis 8 in Hole and dimensions Nov10 2016</b>		
JOB No:	SCALE: <b>1:8</b>	SHEET <b>1</b> OF <b>1</b>
		SIZE <b>B</b>