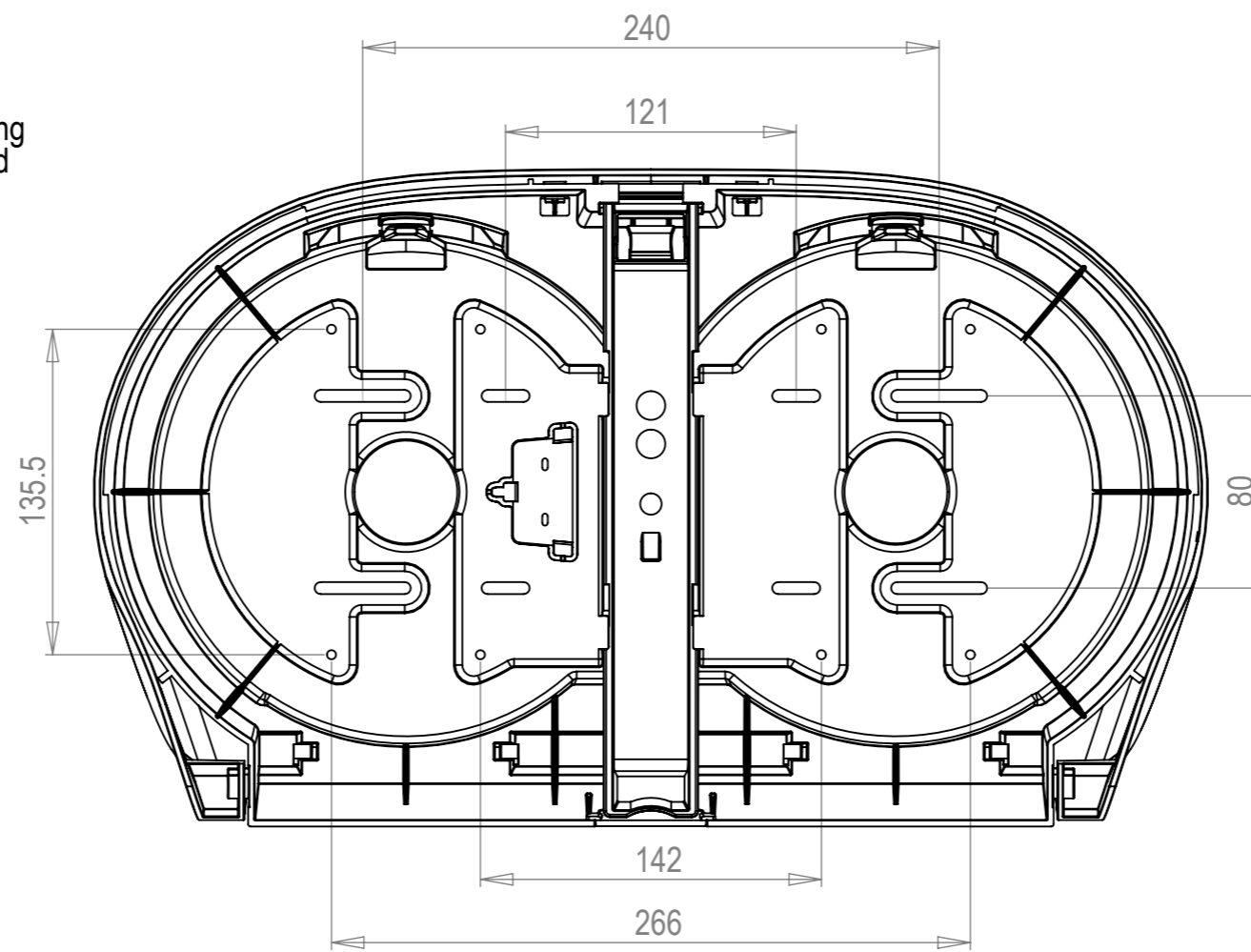
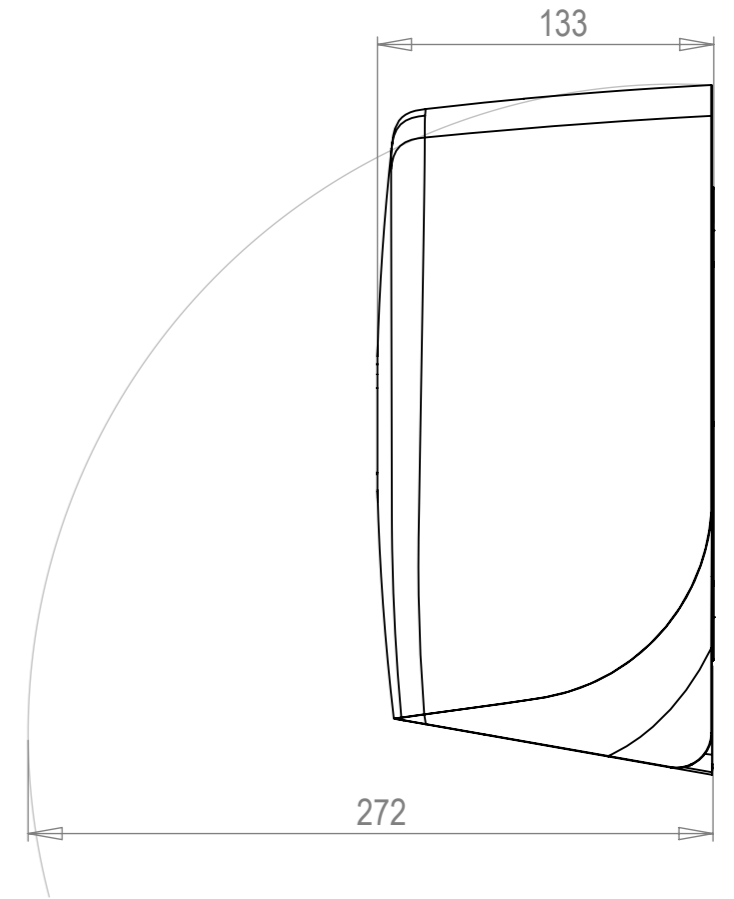
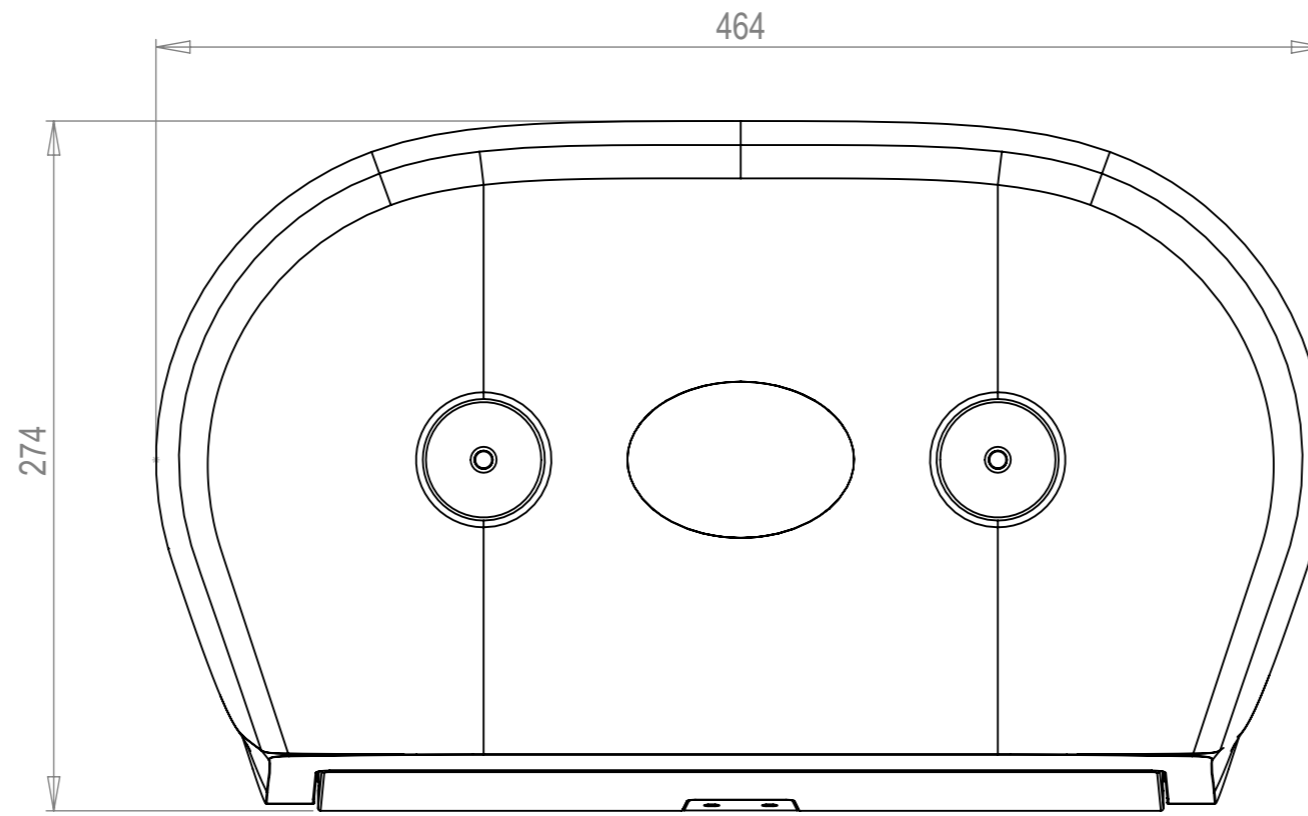


distance dispensing aperture to ground

Change height to read 800 - 1000mm



Hole pattern